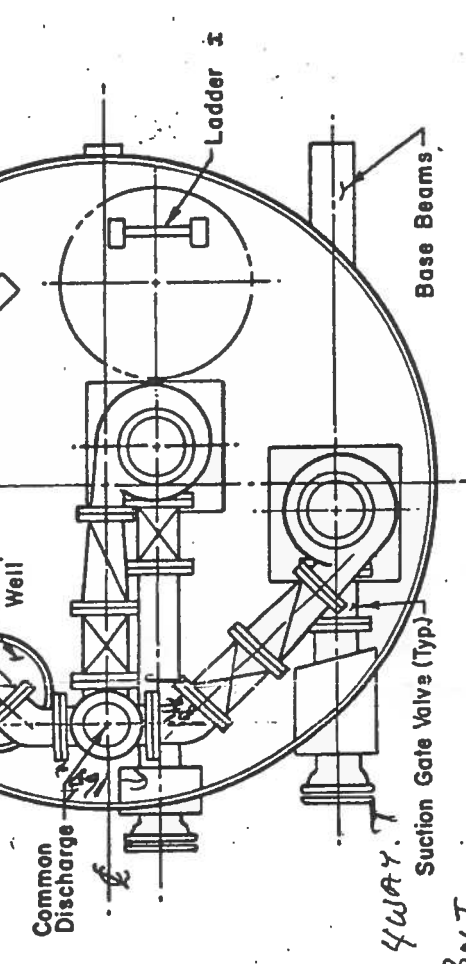
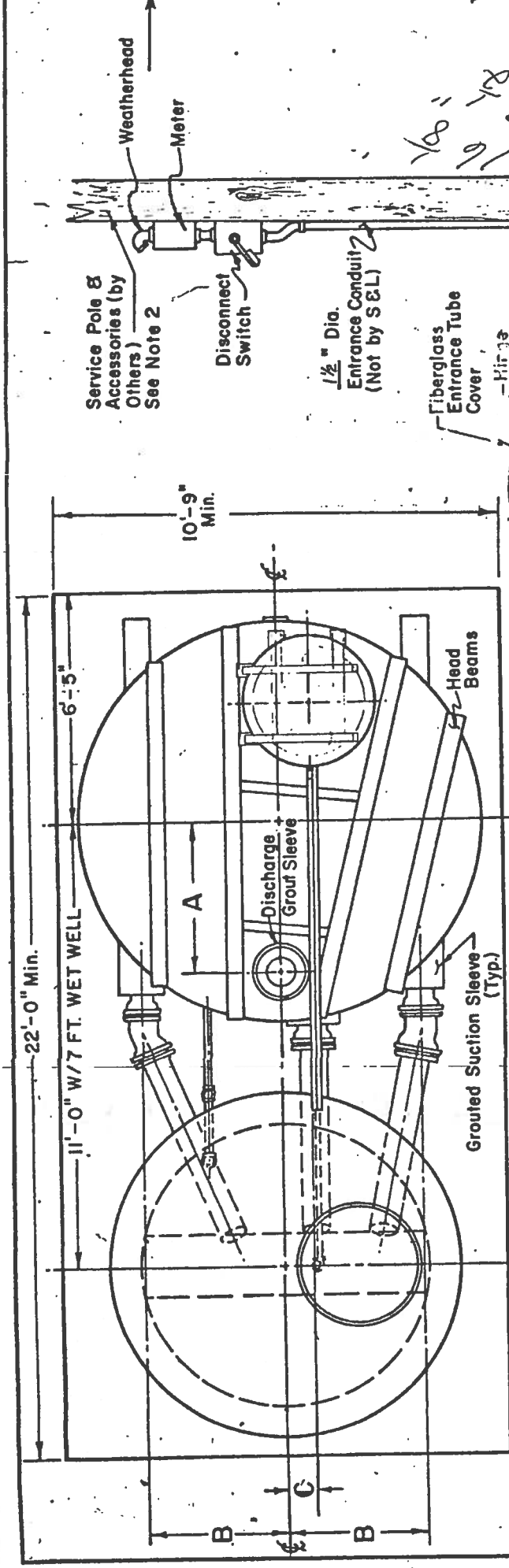


DIMENSIONAL DATA			
PUMP SIZE	DIM. A	DIM. B	DIM. C
4B2-4B2A	3'-8 1/4"	3'-5 1/8"	0'-7 7/8"
4C2-4C2A	3'-8 1/4"	3'-5 1/8"	0'-7 7/8"
4B3-4C3	3'-8 15/16"	3'-5 3/4"	0'-9"



STATION PLAN

NOTES

1. STATION HEIGHT DIMENSIONS TYPICAL FOR STATION WITH CONSTANT SPEED MOTORS.
 2. SEE ENGINEER'S PLANS & SPECIFICATIONS FOR DETAILS OF WET WELL, CONCRETE FOUNDATION, GROUT UNDER STATION & ELECTRICAL SERVICE.
- STATION DESIGN CHARACTERISTICS :-
8 SUCTIONS, 6 COMMON PIPE SIZE, 10 DISCH.
4B2 PUMPS, 500 G.P.M. @ 28 T.D.H. (Max.)

ELECTRICAL SERVICE 600/3-7-11 3PH WIRE GOCRETE #71-61

THE DESIGNING DETAIL OF THIS DRAWING IS THE PROPERTY OF ESCOPE CO. NO PART OF THIS DRAWING IS TO BE REPRODUCED OR TRANSMITTED IN ANY FORM OR BY ANY MEANS, ELECTRONIC OR MECHANICAL, INCLUDING PHOTOCOPYING, RECORDING, OR BY ANY INFORMATION STORAGE AND RETRIEVAL SYSTEM, WITHOUT THE WRITTEN PERMISSION OF ESCOPE CO.

ESCOPE CORPORATION
 Smith & Loveless Division
 1000 West 10th Street
 Lincoln, Nebraska 68508

DATE	8-71
DRAWN BY	HASLAM
CHECKED BY	MARTIN
APPROVED BY	GOODMAN
DATE	8-71
SCALE	NONE

PROJECT: WINN/REG. MAN.
 9'-9" DIA. PUMPING STATION
 CONSTANT SPEED
 DRAWING NO. 75 D 47
 SHEET NO. 1 OF 1
 DATE: 7-4-2029

ELEVATION

TYPICAL WET WELL (Not by S&L) - See Note 2